

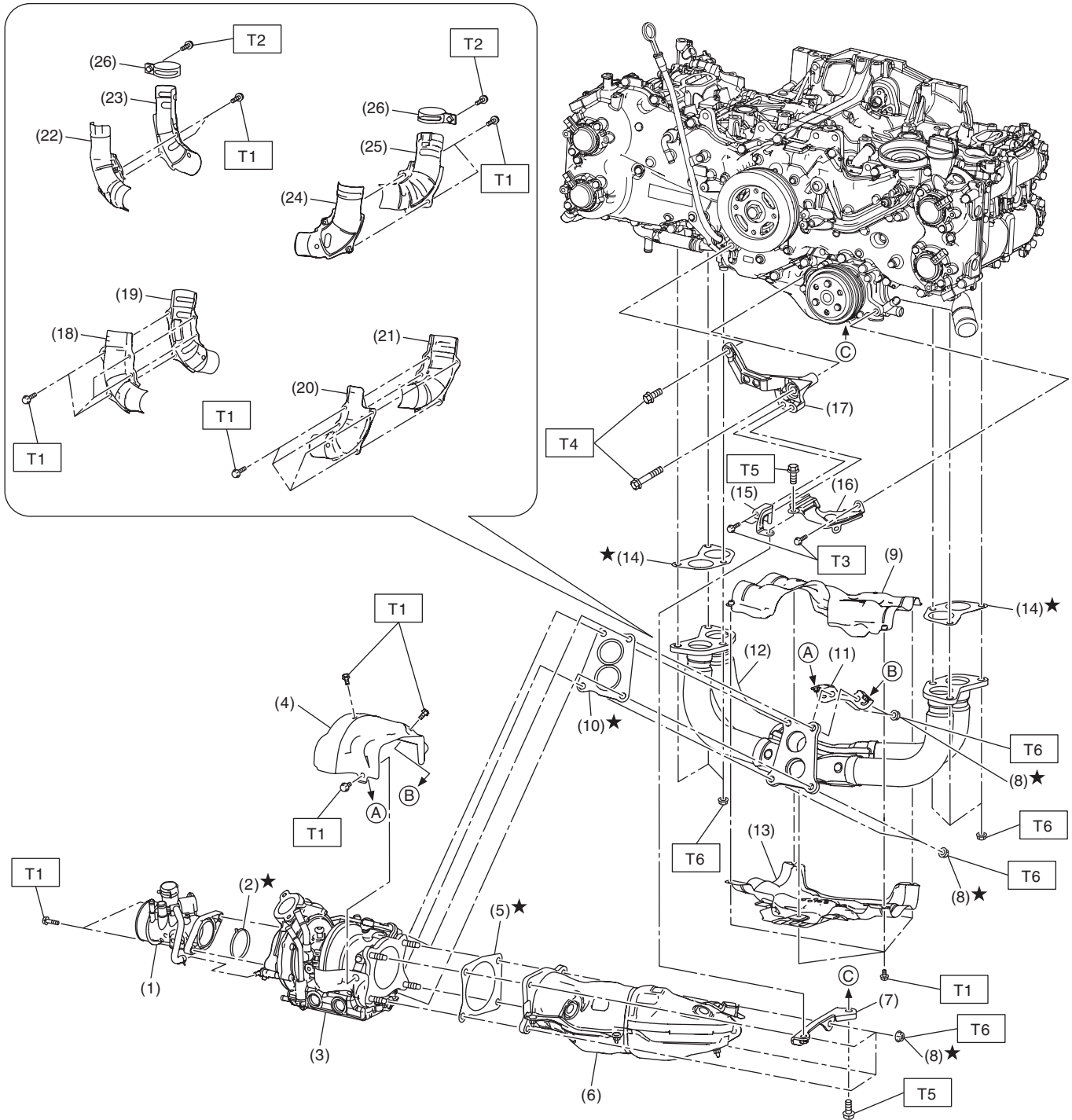
General Description

EXHAUST

1. General Description

A: COMPONENT

1. FRONT EXHAUST PIPE



EX-03086

General Description

EXHAUST

(1) Intake duct No. 1	(13) Exhaust pipe cover C	(25) Exhaust pipe cover K
(2) O-ring	(14) Gasket	(26) Front exhaust pipe band
(3) Turbocharger	(15) Exhaust pipe stay B	
(4) Exhaust pipe cover A	(16) Water pump pulley cover	
(5) Gasket	(17) Turbocharger stay B	
(6) Center exhaust pipe (front)	(18) Exhaust pipe cover D	
(7) Turbocharger stay A	(19) Exhaust pipe cover E	
(8) Self-locking nut	(20) Exhaust pipe cover F	
(9) Exhaust pipe cover B	(21) Exhaust pipe cover G	
(10) Gasket	(22) Exhaust pipe cover H	
(11) Exhaust pipe stay A	(23) Exhaust pipe cover I	
(12) Front exhaust pipe	(24) Exhaust pipe cover J	

Tightening torque: N·m (kgf-m, ft-lb)

T1: 6.4 (0.7, 4.7)

T2: 13 (1.3, 9.6)

T3: 19 (1.9, 14.0)

T4: 30 (3.1, 22.1)

T5: 33 (3.4, 24.3)

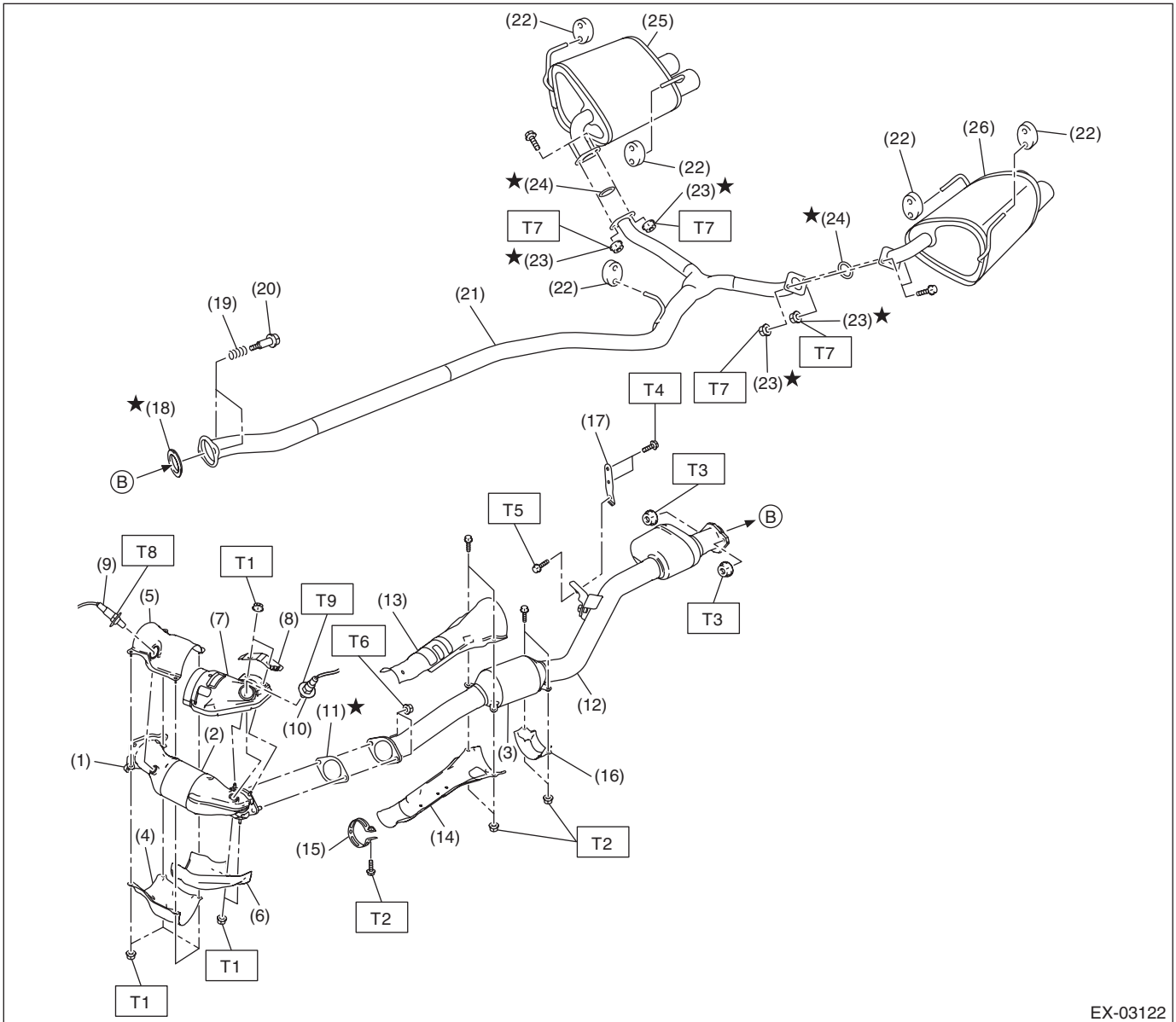
T6: 42.5 (4.3, 31.3)

General Description

EXHAUST

2. CENTER AND REAR EXHAUST PIPE, AND MUFFLER

- CVT model



EX-03122

General Description

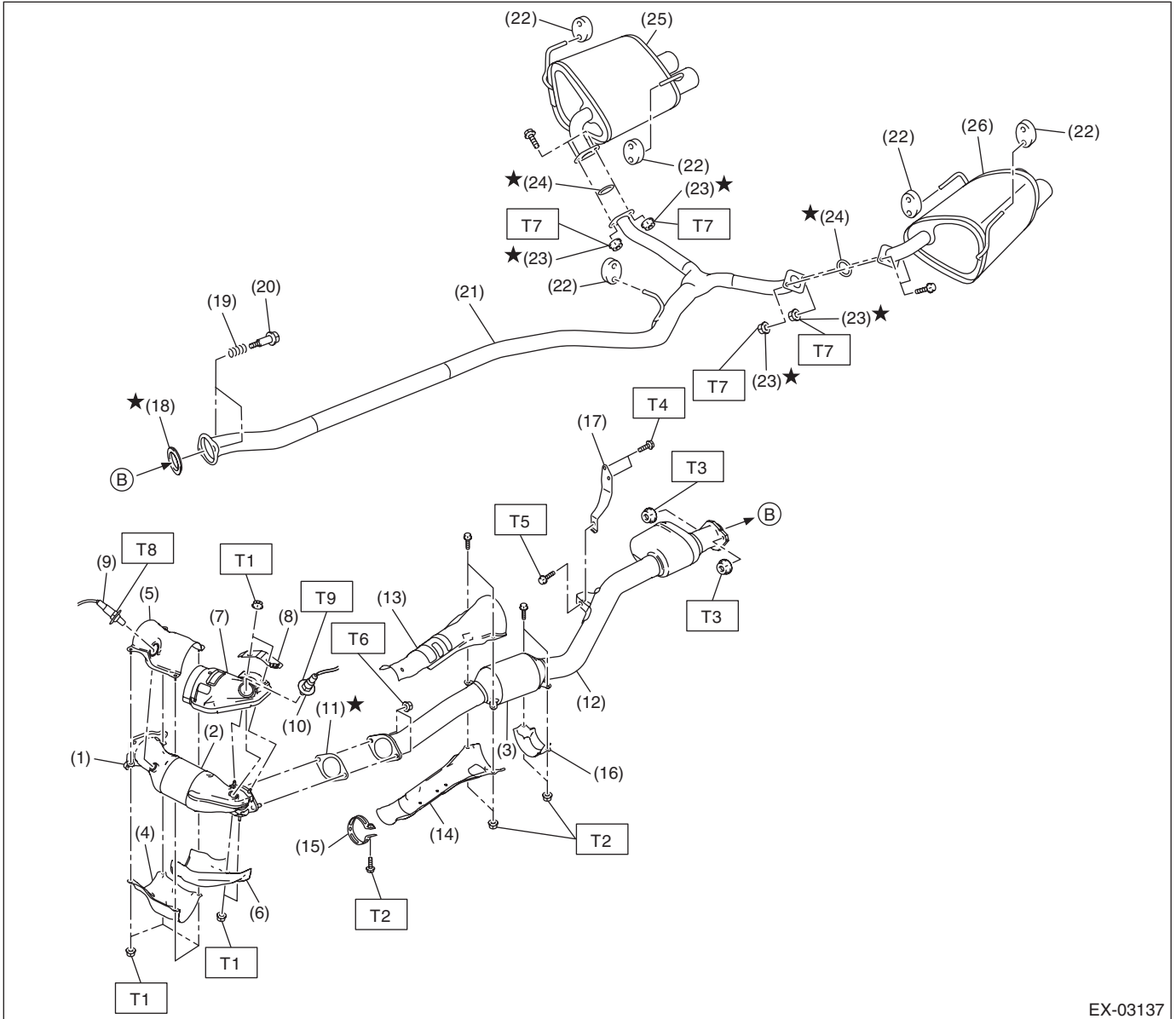
EXHAUST

(1) Center exhaust pipe (front)	(14) Exhaust pipe cover G	Tightening torque: N·m (kgf-m, ft-lb) T1: 7.5 (0.8, 5.5) T2: 13 (1.3, 9.6) T3: 18 (1.8, 13.3) T4: 23 (2.3, 17.0) T5: 35 (3.6, 25.8) T6: 42.5 (4.3, 31.3) T7: 48 (4.9, 35.4) T8: <Ref. to FU(w/o STI)-126, INSTALLATION, Front Oxygen (A/F) Sensor.> T9: <Ref. to FU(w/o STI)-129, INSTALLATION, Rear Oxygen Sensor.>
(2) Front catalytic converter	(15) Center exhaust pipe band	
(3) Rear catalytic converter	(16) Exhaust pipe cover H	
(4) Exhaust pipe cover A	(17) Hanger bracket	
(5) Exhaust pipe cover B	(18) Gasket	
(6) Exhaust pipe cover C	(19) Spring	
(7) Exhaust pipe cover D	(20) Bolt	
(8) Exhaust pipe cover E	(21) Rear exhaust pipe	
(9) Front oxygen (A/F) sensor	(22) Cushion rubber	
(10) Rear oxygen sensor	(23) Self-locking nut	
(11) Gasket	(24) Gasket	
(12) Center exhaust pipe (rear)	(25) Muffler RH	
(13) Exhaust pipe cover F	(26) Muffler LH	

General Description

EXHAUST

- MT model



EX-03137

EX(w/o STI)-6

General Description

EXHAUST

- | | |
|---------------------------------|-------------------------------|
| (1) Center exhaust pipe (front) | (14) Exhaust pipe cover G |
| (2) Front catalytic converter | (15) Center exhaust pipe band |
| (3) Rear catalytic converter | (16) Exhaust pipe cover H |
| (4) Exhaust pipe cover A | (17) Hanger bracket |
| (5) Exhaust pipe cover B | (18) Gasket |
| (6) Exhaust pipe cover C | (19) Spring |
| (7) Exhaust pipe cover D | (20) Bolt |
| (8) Exhaust pipe cover E | (21) Rear exhaust pipe |
| (9) Front oxygen (A/F) sensor | (22) Cushion rubber |
| (10) Rear oxygen sensor | (23) Self-locking nut |
| (11) Gasket | (24) Gasket |
| (12) Center exhaust pipe (rear) | (25) Muffler RH |
| (13) Exhaust pipe cover F | (26) Muffler LH |

Tightening torque: N·m (kgf·m, ft·lb)

T1: 7.5 (0.8, 5.5)

T2: 13 (1.3, 9.6)

T3: 18 (1.8, 13.3)

T4: 23 (2.3, 17.0)

T5: 35 (3.6, 25.8)

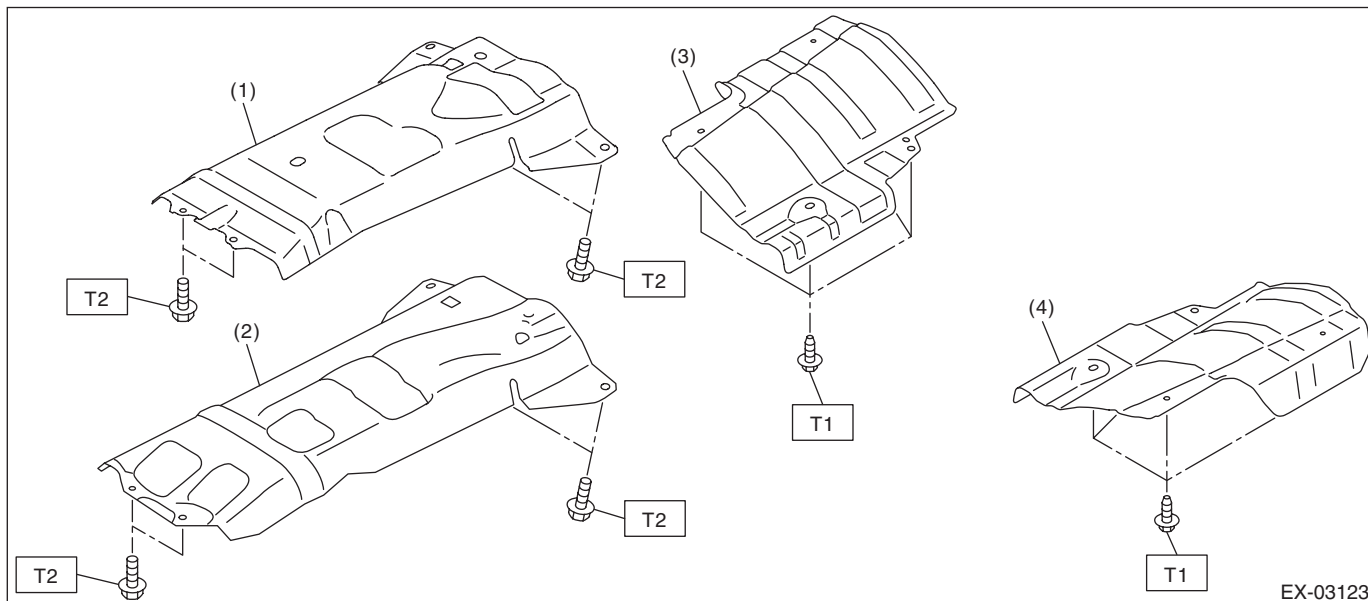
T6: 42.5 (4.3, 31.3)

T7: 48 (4.9, 35.4)

T8: <Ref. to FU(w/o STI)-126, INSTALLATION, Front Oxygen (A/F) Sensor.>

T9: <Ref. to FU(w/o STI)-129, INSTALLATION, Rear Oxygen Sensor.>

3. HEAT SHIELD COVER



EX-03123

- | | |
|--------------------------------------|---------------------------|
| (1) Center exhaust cover (CVT model) | (3) Rear exhaust cover RH |
| (2) Center exhaust cover (MT model) | (4) Rear exhaust cover LH |

Tightening torque: N·m (kgf·m, ft·lb)

T1: 10 (1.0, 7.4)

T2: 18 (1.8, 13.3)

General Description

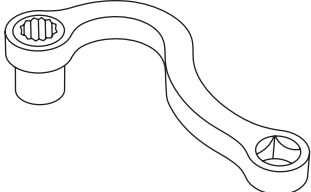
EXHAUST

B: CAUTION

- Prior to starting work, pay special attention to the following:
 1. Always wear work clothes, a work cap, and protective shoes. Additionally, wear a helmet, protective goggles, etc. if necessary.
 2. Protect the vehicle using a seat cover, fender cover, etc.
 3. Prepare the service tools, clean cloth, containers to catch grease and oil, etc.
- Vehicle components are extremely hot immediately after driving. Be wary of receiving burns from heated parts.
- When performing a repair, identify the cause of trouble and avoid unnecessary removal, disassembly and replacement.
- Before disconnecting connectors of sensors or units, be sure to disconnect the ground cable from battery.
- Always use the jack-up point when the shop jacks or rigid racks are used to support the vehicle.
- Remove contamination including dirt and corrosion before removal, installation, disassembly or assembly.
- Keep the removed parts in order and protect them from dust and dirt.
- All removed parts, if to be reused, should be reinstalled in the original positions with attention to the correct directions, etc.
- Bolts, nuts and washers should be replaced with new parts as required.
- Be sure to tighten the fasteners including bolts and nuts to the specified torque.
- If any grease adheres to the exhaust pipe, wipe it off. Otherwise a fire may happen.

C: PREPARATION TOOL

1. SPECIAL TOOL

ILLUSTRATION	TOOL NUMBER	DESCRIPTION	REMARKS
 ST18283AA010	18283AA010	WRENCH ADAPTER	Used for removing and installing center exhaust pipe (front).

2. GENERAL TOOL

TOOL NAME	REMARKS
TORX® socket E10	Used for removing and installing center exhaust pipe (front).